

Light-emitting diode module

Prism PRO1 HE+ 24V

TECHNICAL INFORMATION

LED type	2835
Input	24V DC
Color temperature	6500 K
Beam angle	165°
Protection level	IP 67
Center-to-center distance	140 mm
Working temperature	-30°C + 50°C
Available colors	●
Power	0,36 W
Light output	63 lm

FOR CHANNEL LETTERS

MODULE DESIGNED FOR CHANNEL LETTERS

DEPTH 60-100 MM

BEST FOR 60-100MM DEEP LIGHTBOXES

MIN MAX

1:1,8 RATIO

RECOMMENDED DEPTH: C-C DISTANCE RATIO

UP TO 175LM/W

HIGH EFFICIENCY LED INSIDE

IP 67

DUST AND WATER PROTECTED

63lm

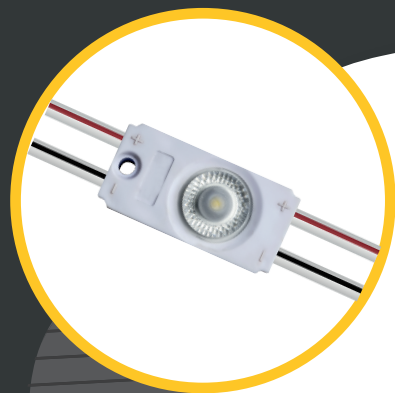
HIGH BRIGHTNESS 63 LM PER MODULE

6500 K

6500 K AND OTHER COLORS

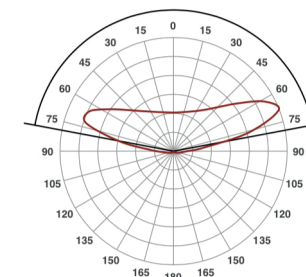
7 YEARS WARRANTY

7 YEAR EXTENDED WARRANTY

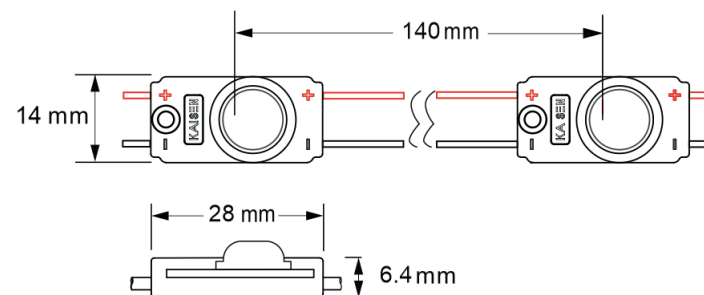


LIGHT DISTRIBUTION GRAPH

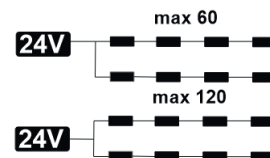
Beam angle is 165°



DIMENSIONS



CONNECTION



PACKAGING

Packing type	Chain	Package	Box
Quantity	20 pcs	200 pcs	3200 pcs
Weight	0,13 kg	1,34kg	21,5 kg

