

Light-emitting diode module

Prism PRO3 HE+ 24V

TECHNICAL INFORMATION

LED type	2835
Input	24V DC
Color temperature	6500 K
Beam angle	165°
Protection level	IP 67
Center-to-center distance	260 mm
Working temperature	-30°C + 50°C
Available colors	●
Power	1,08 W
Light output	189 lm

FOR CHANNEL LETTERS

MODULE DESIGNED CHANNEL LETTERS

DEPTH 100-150 MM

BEST FOR 100-150MM DEEP LIGHTBOXES

MIN MAX 1:1.8 RATIO

RECOMMENDED DEPTH: C-C DISTANCE RATIO

UP TO 175LM/W

HIGH EFFICIENCY LED INSIDE

IP 67

DUST AND WATER PROTECTED

189 lm

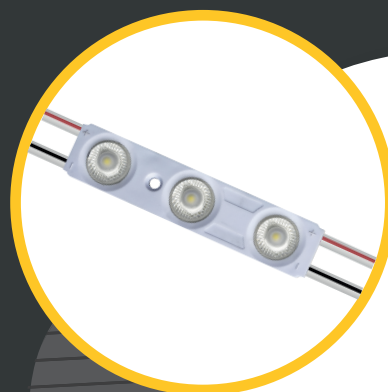
HIGH BRIGHTNESS 189 LM PER MODULE

6500 K

6500 K AND OTHER COLORS

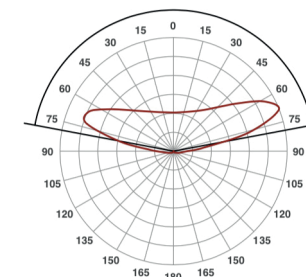
7 YEARS WARRANTY 7 YEARS WARRANTY

7 YEAR EXTENDED WARRANTY

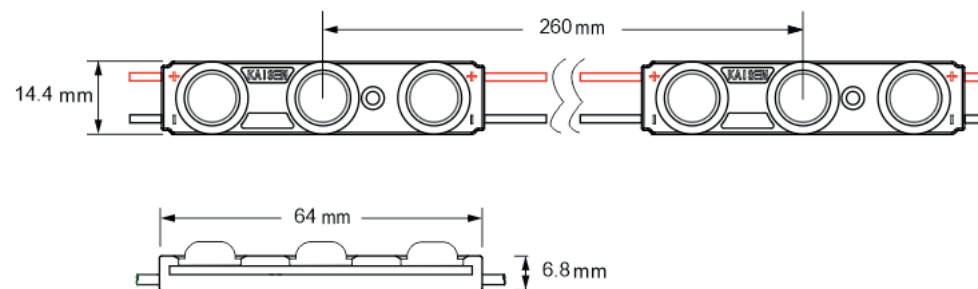


LIGHT DISTRIBUTION GRAPH

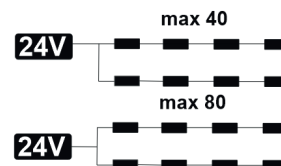
Beam angle is 165°



DIMENSIONS



CONNECTION



PACKAGING

Packing type	Chain	Package	Box
Quantity	20 pcs	200 pcs	1200 pcs
Weight	0,3 kg	3,15 kg	18,9 kg

