

Light-emitting diode module

Prism PRO4 HE+ 24V

TECHNICAL INFORMATION

| | |
|---------------------------|-----------------|
| LED type | 2835 |
| Input | 24V DC |
| Color temperature | 6500 K / 8500 K |
| Beam angle | 165° |
| Protection level | IP 67 |
| Center-to-center distance | 340 mm |
| Working temperature | -30°C + 50°C |
| Available colors | ● |
| Power | 1,44 W |
| Light output | 252 lm |

FOR CHANNEL LETTERS

MODULE DESIGNED CHANNEL LETTERS

DEPTH 100-200 MM

BEST FOR 100-200MM DEEP LIGHTBOXES

RECOMMENDED DEPTH: C-C DISTANCE RATIO 1:1.8

UPTO 175LM/W

HIGH EFFICIENCY LED INSIDE

IP 67

DUST AND WATER PROTECTED

252lm

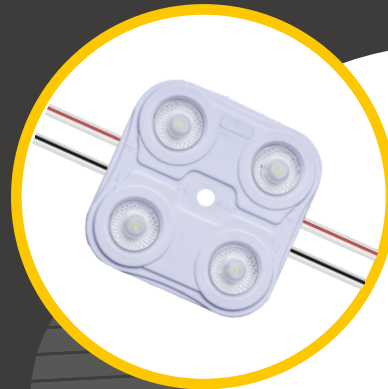
HIGH BRIGHTNESS 252 LM PER MODULE

6500 K

8500 K AND OTHER COLORS

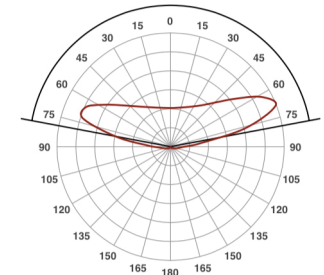
7 YEARS WARRANTY

7 YEAR EXTENDED WARRANTY

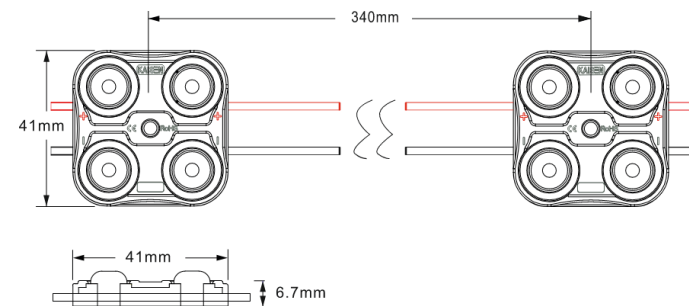


LIGHT DISTRIBUTION GRAPH

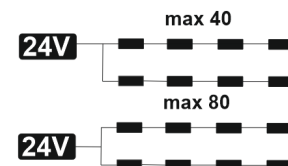
Beam angle is 165°



DIMENSIONS



CONNECTION



PACKAGING

| Packing type | Chain | Package | Box |
|--------------|--------|---------|---------|
| Quantity | 20 pcs | 100 pcs | 800 pcs |
| Weight | 0,5 kg | 2,5 kg | 20,3 kg |

