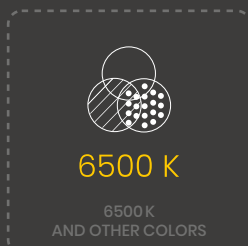
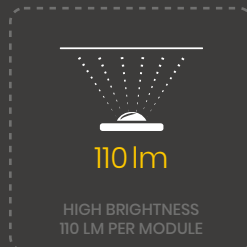
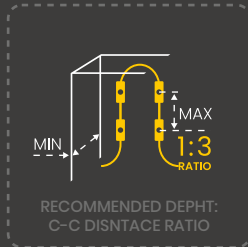


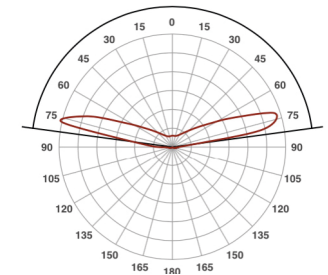
Light-emitting diode module Teleline Mini T2 24V

TECHNICAL INFORMATION

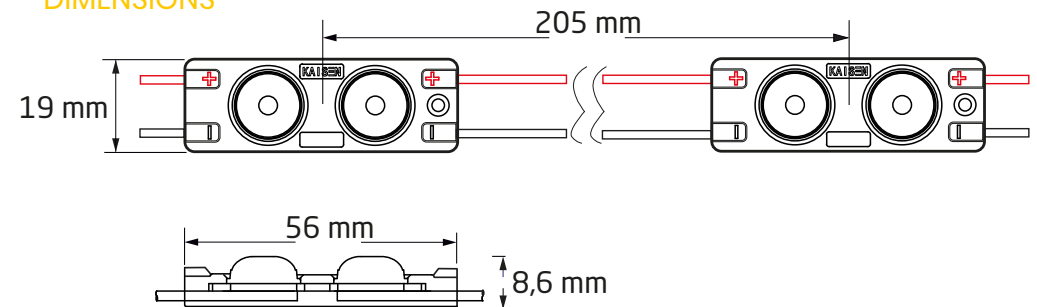
LED type	2835
Input	24V DC
Color temperature	6500 K
Beam angle	165°
Protection level	IP 67
Center-to-center distance	205 mm
Working temperature	-30°C + 50°C
Available colors	●
Power	1 W
Light output	110 lm



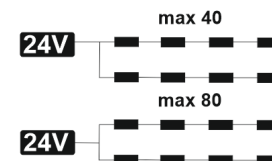
LIGHT DISTRIBUTION GRAPH
Beam angle is 165°



DIMENSIONS



CONNECTION



PACKAGING

Packing type	Chain	Package	Box
Quantity	40 pcs	120 pcs	1080 pcs
Weight	0,3 kg	3 kg	13,16 kg

